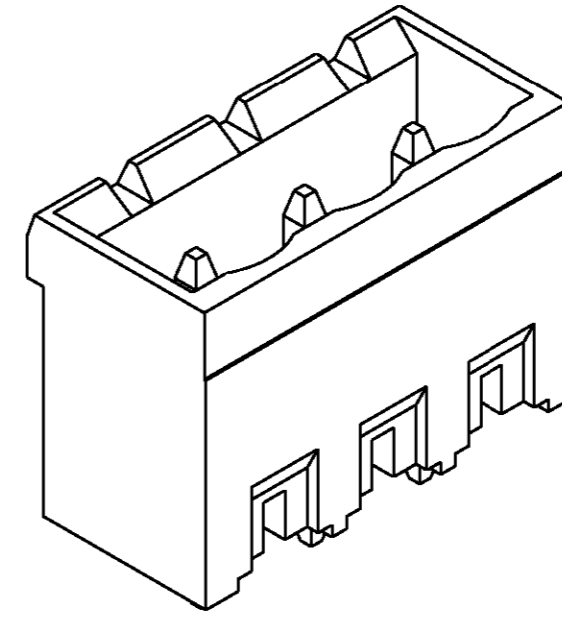
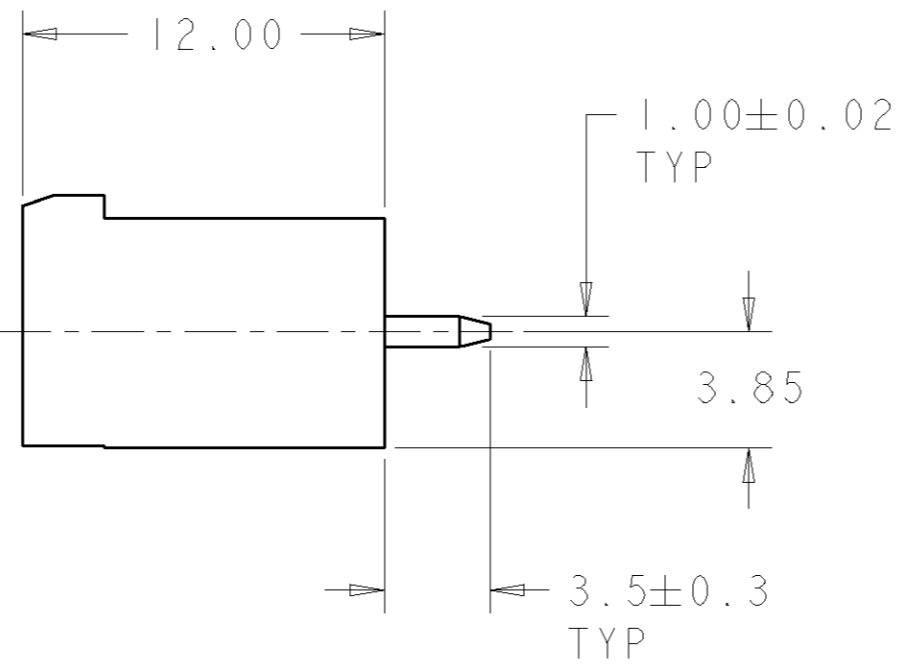
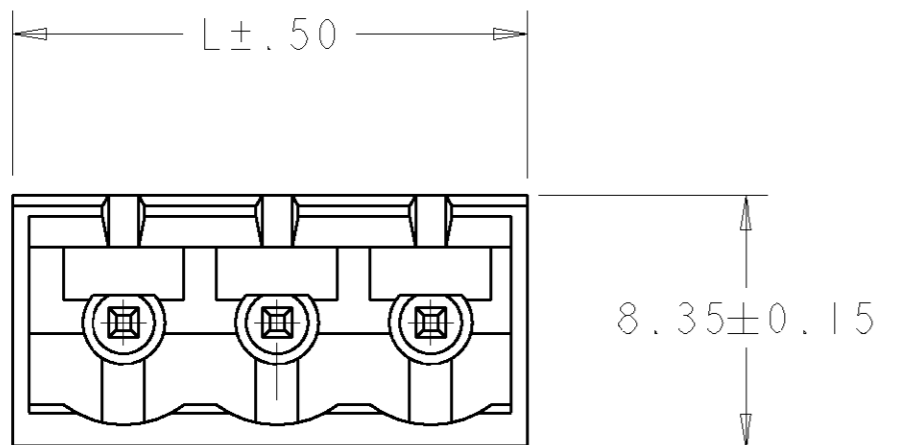
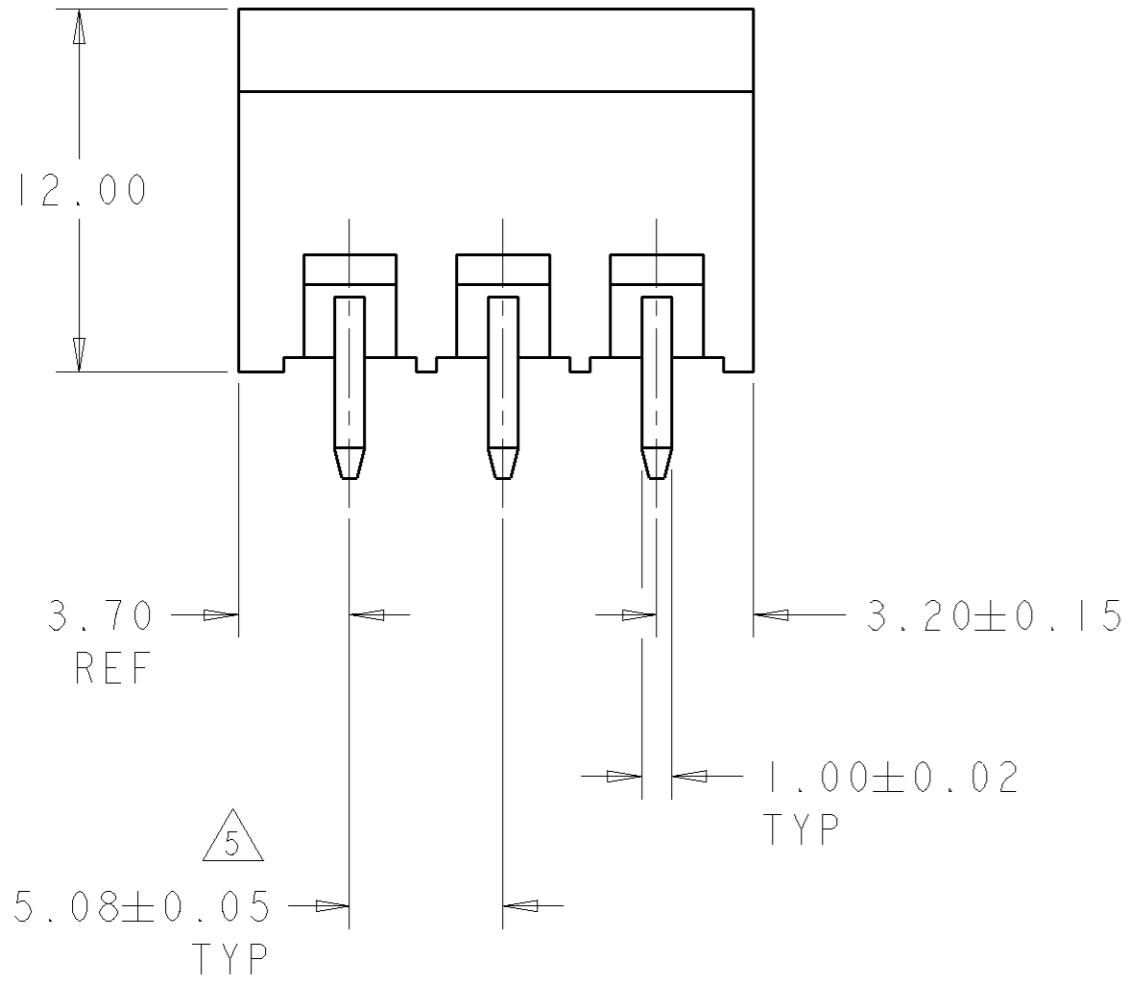


THIS DRAWING IS UNPUBLISHED. RELEASED FOR PUBLICATION 20  
 © COPYRIGHT 20 BY TYCO ELECTRONICS CORPORATION. ALL RIGHTS RESERVED.

LOC	DIST	REVISIONS			
P	LTR	DESCRIPTION	DATE	DWN	APVD
FT	0	A	RELEASED EC 063B-0517-01	11SEP2002	SW CR

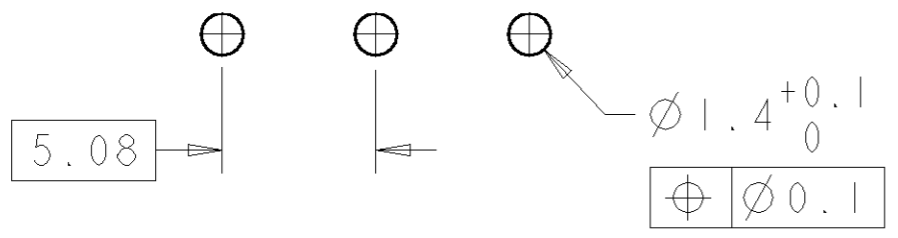


1546111-3 AS SHOWN



- 1. MATERIALS AND FINISH:  
HOUSING: PA 6-6, UL 94-V0, COLOR: GRAY.  
TERMINAL: PHOSPHOR BRONZE, TIN PLATED.
- 2. SUITABLE FOR 1,6-2, 4mm PC BOARD THICKNESS.
- 3. RECOGNIZED UNDER THE COMPONENT PROGRAM OF UNDERWRITERS LABORATORIES INC. FILE N° E60677.
- 4. IMQ CERTIFICATE WITH SURVEILLANCE IN CONFORMITY WITH IEC 998-1/998-2-1.)
- 5. NOT CUMULATIVE TOLERANCE
- 6. BUCHANAN LOGO TO APPEAR ON HOUSING, LOCATION OPTIONAL WHERE SPACE PERMITS.

128.82	25	2-1546111-5
123.74	24	2-1546111-4
118.66	23	2-1546111-3
113.58	22	2-1546111-2
108.50	21	2-1546111-1
103.42	20	2-1546111-0
98.34	19	1-1546111-9
93.26	18	1-1546111-8
88.18	17	1-1546111-7
83.10	16	1-1546111-6
78.02	15	1-1546111-5
72.94	14	1-1546111-4
67.86	13	1-1546111-3
62.78	12	1-1546111-2
57.70	11	1-1546111-1
52.62	10	1-1546111-0
47.54	9	1546111-9
42.46	8	1546111-8
37.38	7	1546111-7
32.30	6	1546111-6
27.22	5	1546111-5
22.14	4	1546111-4
17.06	3	1546111-3
11.98	2	1546111-2
DIM L	NO OF POSN	PART NUMBER



RECOMMENDED PC BOARD LAYOUT

THIS DRAWING IS A CONTROLLED DOCUMENT FOR TYCO ELECTRONICS CORPORATION. IT IS SUBJECT TO CHANGE AND THE CONTROLLING ENGINEERING ORGANIZATION SHOULD BE CONTACTED FOR THE LATEST REVISION.		DWN S. WELDON 11SEP2002	Tyco Electronics Harrisburg, PA 17105-3608	
DIMENSIONS: mm		CHK C. RICHARD 11SEP2002		
TOLERANCES UNLESS OTHERWISE SPECIFIED:		APVD C. RICHARD 11SEP2002	NAME TERMI-BLOK HEADER ASSEMBLY, 180 DEGREE, CLOSED ENDS, 5.08mm PITCH	
0 PLC ±		PRODUCT SPEC -	SIZE A2	
1 PLC ±0.3		APPLICATION SPEC -	CAGE CODE 00779	DRAWING NO. 1546111
2 PLC ±0.25		WEIGHT -	RESTRICTED TO -	
3 PLC ±		CUSTOMER DRAWING	SCALE 4:1	SHEET 1 OF 1
4 PLC ±			REV A	
ANGLES ±				
FINISH				